



## Delivery specifications A5 landscape

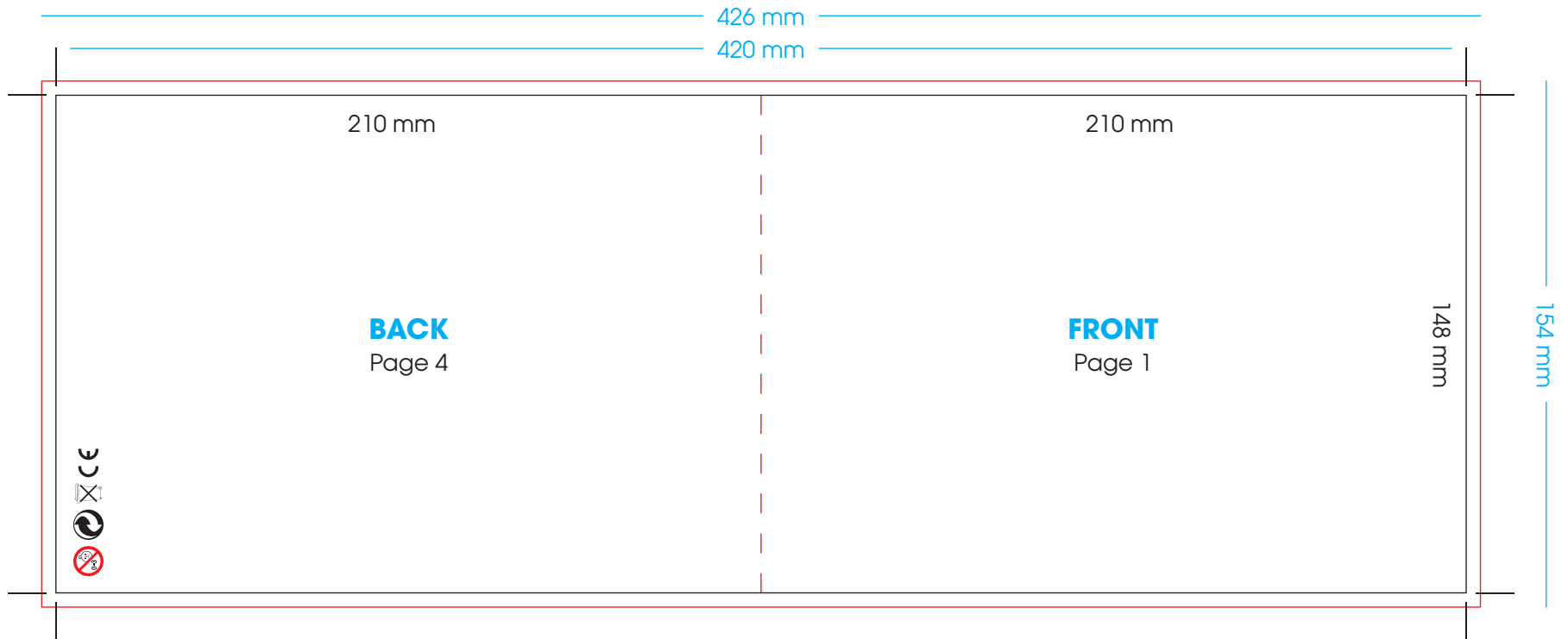
Size: 210 x 148 mm

Please supply in spread-shape, see page 2 and 3 of this PDF.

- Supply as a high resolution PDF file (pdf/x-1a-2001).
- PDF file consists of 2 pages (see page 2 and 3 of this PDF).
- Allow 3 mm bleed and crop marks at the right size for the trimming.
- Photos at least 300 dpi, CMYK.
- Convert texts to outlines to exclude font problems.
- Convert any Pantone colours to CMYK.
- **Please note:** Regarding the inside of the card; in the centre take into account that a total blank space of 6mm will be kept free from relevant text in the middle. This is in connection with the positioning of the sound module.
- Supply sound/music clips in .mp3 or .wav file size.

Size incl. bleed:  
426 x 154 mm

End size:  
420 x 148 mm



Size incl. bleed:  
426 x 154 mm

End size:  
420 x 148 mm



**Please note:**  
Regarding the inside of the card; at the centre, take into account that a total blank space of 6mm will be kept free from relevant text. This is in connection with the positioning of the sound module.  
Image/photo material could possibly continue in the background.

